



inline weatherproof socket



# OUTDOOR

## POWER

designed with outdoor activities in mind, this range provides safe power solutions for garden and light DIY use

### FEATURES

- Ideal for creating a safe convenient temporary outdoor power supply
- 13A inline socket
- Weatherproof (IP54 rated) socket

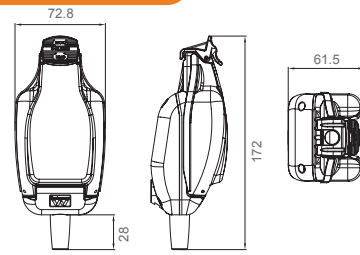


### PRODUCT IMAGES



IPS

### LINE DIAGRAMS



### PRODUCT INFORMATION

Part Number	IPS
Product Dimensions	Height 61.5mm x Width 72.8mm x Depth 172mm
Sockets	1x IP rated weatherproof socket

### TECHNICAL SPECIFICATIONS

Standard(s)	This product is certified to applicable British safety standards BS1363-2
Maximum Load (Wattage)	13A: 3120 Watts, 240 Volts
IP rating	IP54



IF IN DOUBT CONSULT A QUALIFIED ELECTRICIAN

### SAFETY WARNING

PLEASE READ CAREFULLY AND USE IN ACCORDANCE WITH OUR SAFETY INSTRUCTIONS BELOW

- ✓ **DO** Uncoil the flex fully before use
- ✓ **DO** Position the cable carefully to avoid accidents
- ✓ **DO** Occasionally inspect the flex insulation for damage
- ✓ **DO** Check outlet before use for signs of water ingress
- ✗ **DON'T** Use insulating tape for repairs to damaged flex
- ✗ **DON'T** Attempt to repair damaged plugs or trailing outlet: replace them
- ✗ **DON'T** Allow heavy tools to hang unsupported on the flex or from the outlet
- ✗ **DON'T** Leave the unit unattended when risk of exposure to moisture

## WIRING INSTRUCTIONS

If unit was supplied without pre-fitted mains cable, or the supplied cable is being replaced, the correct cable **MUST** be used.

Use flexible cable:

- Ordinary duty, PVC or Rubber construction\*
- 300/500V mains, 3-Core 1.25mm or 1.5mm
- Round profile
- To BS EN 50525 or equivalent

\* PVC insulated & sheathed, Harmonized Code: H05VV-F3 or Rubber insulated & sheathed, Harmonized Code: H05RR-F3.

1. Turn unit upside down & undo the 4 fixing screws on underside securing Base Cover. Remove Base Cover & Cable Grommet. Ensure Main Body Seal remains in place on Main Body Assembly.
2. Strip 65-70mm of outer jacket sheath from one end of mains cable, to expose Earth, Live & Neutral insulated wires
3. Feed ends of wires through Cable Grommet by about 100mm.
4. Strip insulation on each conductor wire 5-7mm to expose copper strands, & twist strands together to form neat ends.
5. Undo the 2 fixing screws & remove Cord Grip.
6. Place cable in strain-relief channel & refit Cord Grip - **DO NOT OVERTIGHTEN** fixing screws. Ensure the Cord Grip clamps onto the cable outer sheath & **NOT** individual wires.
7. Route & connect wires to terminals as shown in previous diagram, ensuring connections as follows:-

GREEN/YELLOW Earth wire to Earth Terminal (central)

BROWN wire to Live Terminal (RH side)

BLUE wire to Neutral Terminal (LH side)

Ensure:-

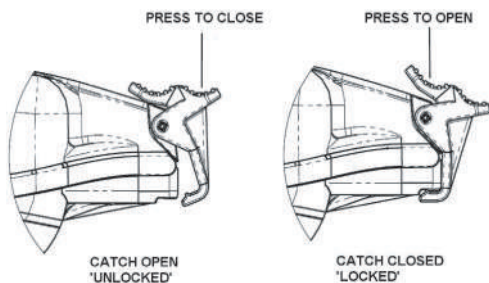
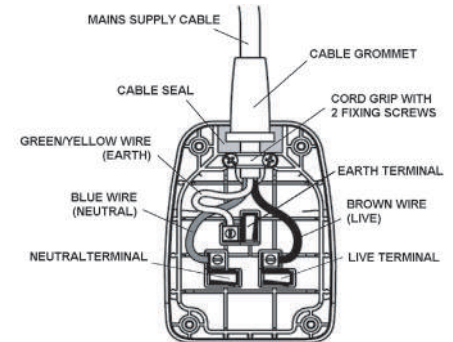
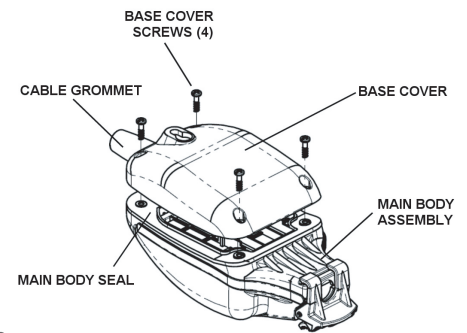
- ONLY bare ends of wires enter terminals & NO loose strands are visible
- All terminals are located correctly in Base Cover.
- All terminal screws are secure - **DO NOT OVERTIGHTEN**

8. Adjust position of Cable Grommet on Mains Supply Cable to ensure it fits properly into the Cable Seal adjacent to Cord Grip.
9. Re-assemble Base Cover to Main Body Assembly & ensure Main Body Seal is in place & fits properly against Cable Grommet. Secure the 4 fixing screws – **DO NOT OVERTIGHTEN**.

10. Wiring is now complete & unit is ready to be used.

**REMEMBER** - The unit will **ONLY** provide weatherproof protection when the Cover is closed & the Catch is properly closed or locked.

To close or open catch, press the region of the catch as shown below.



11. During life of product, any cleaning should only be carried out with a damp cloth using a mild solution of detergent & warm water. **DO NOT USE** solvent based cleaners as these may cause damage. It is recommended to **ONLY** clean the external surfaces with Cover closed.

**DO NOT** get any water on Socket if Cover is open.

12. For convenience in storage or while in use, a keyhole slot is provided on the rear face for hanging unit onto a No.8 screw mounted to a suitable surface.

